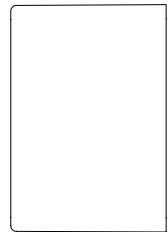
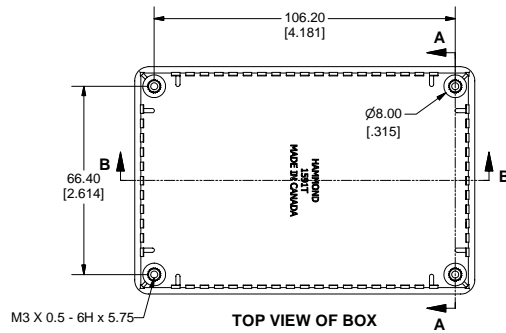


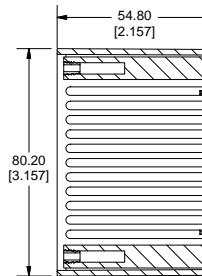
1591TFL Enclosure



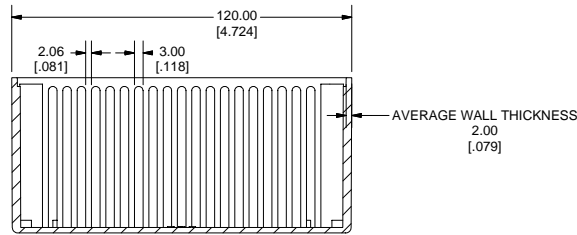
SIDE VIEW OF BOX



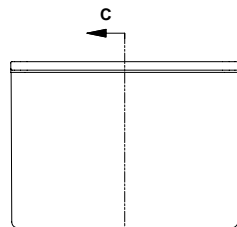
TOP VIEW OF BOX



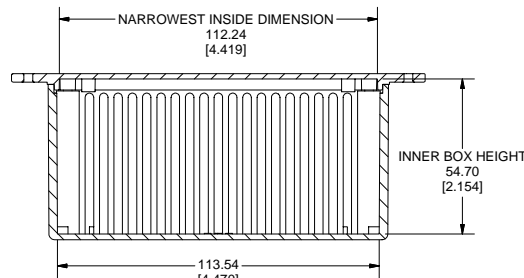
SECTION A-A



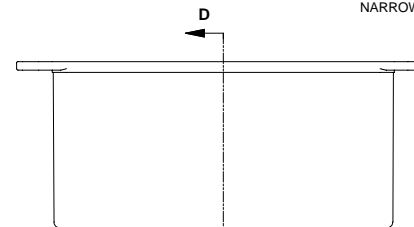
SECTION B-B



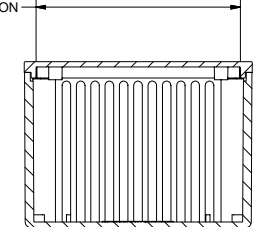
END VIEW OF ENCLOSURE



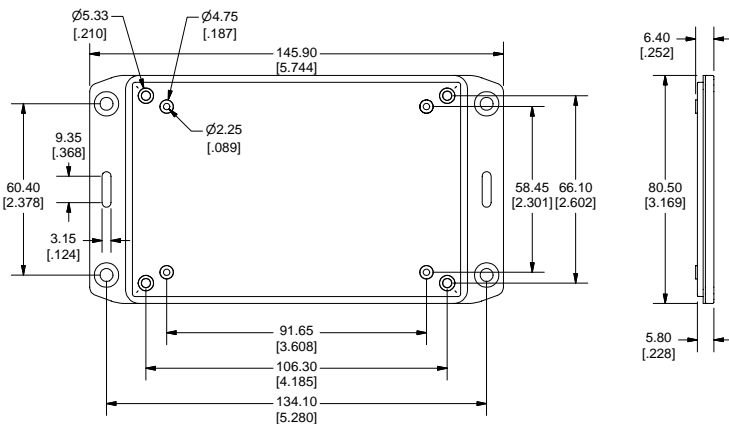
SECTION C-C



SIDE VIEW OF ENCLOSURE



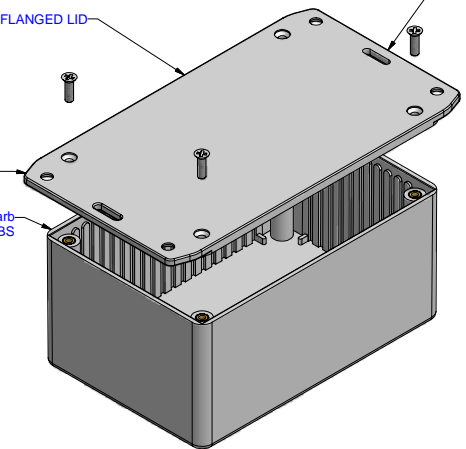
SECTION D-D



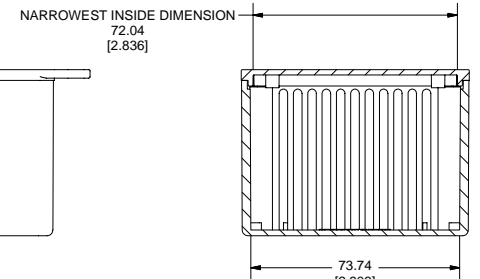
LID FASTENERS
M3 x 10 mm Screws for FRABS/Polycarb
#4 x 1/2" Self Tapping for GPABS

FLANGED LID

Slots for screws or mounting strap



EXPLODED VIEW OF ASSEMBLY



Note:

Enclosures can be Factory Modified (Milling, Drilling, Printing etc.)
Solid models of this enclosure available in STEP or IGES Format.
Contact Factory mjm@hammondmg.com



PART NUMBERS		
1591T Flanged Lid Enclosures		
Material	Colour	Part Number
FRABS UL94	Black	1591TFLBK
- V0	Grey	1591TFLGY
Accessories		
Description	Part Number	
Used with ABS Enclosures	PC Board Card Adapters	See Accessories Section
	Replacement Screws, Flat Head Phillips Nickel Plated Pack of 100.	1591MS100 1591MS100BK (Black)
Recommended Torque on Fasteners (no lubrication)		
	M3 - 0.5 x 10mm Screws	30-40 cN*m
	#4 x 0.5 Screws	30-40 cN*m